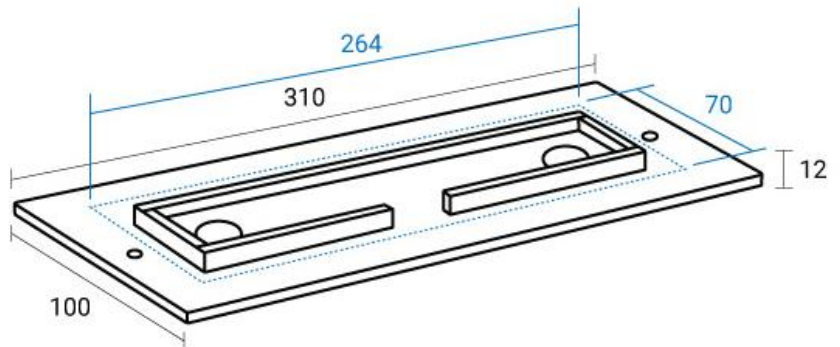


## FootfallCam Flush Mounting Plate Kit FC-FMP04

The FootfallCam Flush Mounting Plate designed to provide a better outlook and fit for the store design.

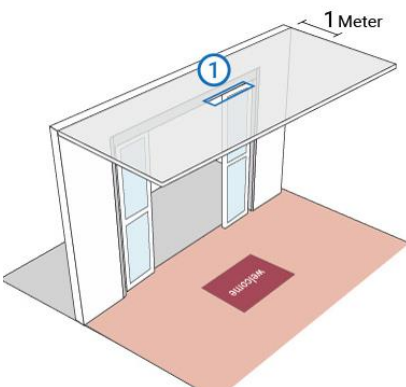
### Dimensions



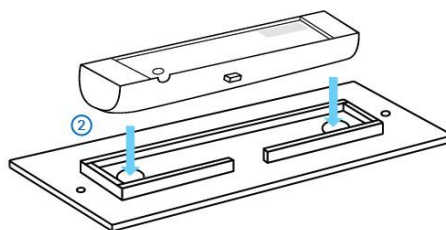
### Key Specifications

Compatible with	FootfallCam 3D Plus
Dimension	(WxDxH): 310 x 100 x 12mm
Ceiling Hole Size	(WxD) 264 x 70 mm
Maximum Load	1kg
Weight	500 g
Thickness	3.0 mm
Material	Acrylic
Color	White transparent
Environment	Indoor
Ideal Mounting height	2.8 m -3.5 m (measure from floor)
Included	2x ceiling screws, 2x wall plugs

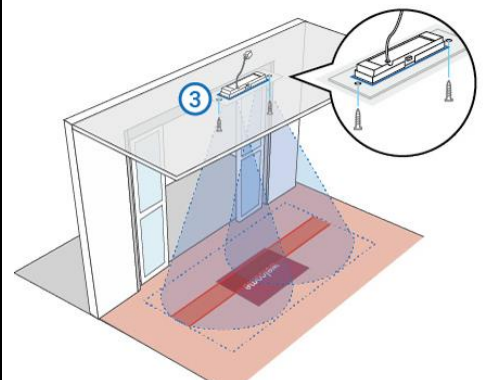
### How to Install Flush Mounting Plate



**Step 1:** Determine the mounting location (ideal height: 2.8m – 3.5m), cut the hole of camera space for installing the mounting plate (264mm x 70 mm)



**Step 2:** Attach the counter to the bracket.



**Step 3:** Mount the plate with camera on the wall with 2x screws and wall plugs.